



Liner Panels and Beam Covers



Architectural

clean room **panels**

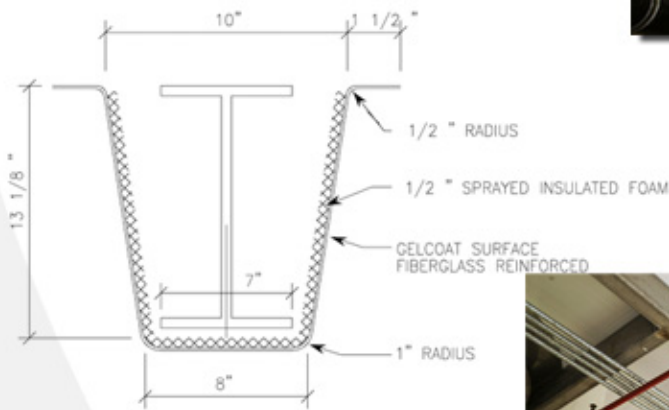
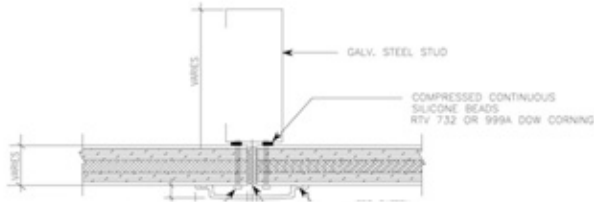


Liner Panels and Beam Covers

Here is a before and after look at direct attached Arcoplast ceiling liners and beam covers in a process room.

These panels were set in urethane adhesive and mechanically fastened around the perimeters. Once fastened, the panel joints and fasteners were covered and tightly sealed with our unique Arcoplast batten covers.

The concrete beams were then wrapped with Arcoplast insulated beam covers. No more flaking paint, and no exposed seams or fasteners!



www.icsmn.com

Industrial Construction Services, Inc.

215 Fifteenth Street South
Saint James, MN 56081-2438
Phone: 507.375.4633
Fax: 507.375.7513
or Toll Free at 1.800.795.8315

