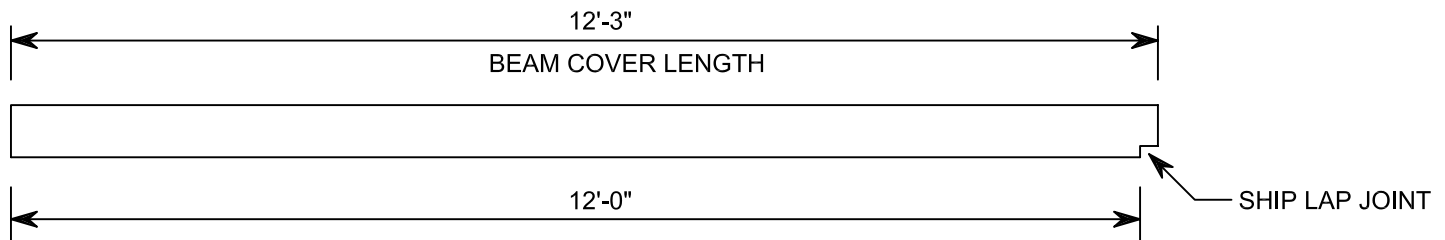
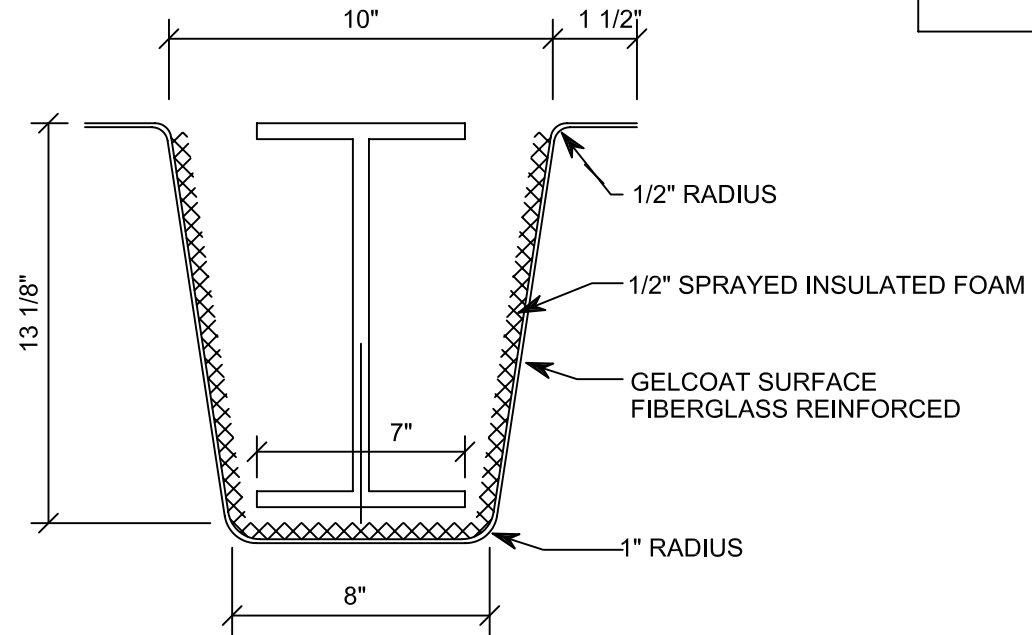


SURFACE FINISH

USDA/ANTIMICROBIAL GEL COAT



YIELD	DWG # BC-12	F				DATE 2-11-02	 arcoplast WALL AND CEILING SYSTEMS	1873 WILLIAMSTOWN DR. ST. PETERS, MO 63376 888-736-2726 FAX 636-978-7782
		E				SCALE N.T.S.		
		D				DRAWN BY JGB		
		C				CHECKED BY G.B.		
		B					GELCOAT SURFACE FIBERGLASS REINFORCED INSULATED BEAM COVERS	
		A						
		NO.	DATE	E.C.N.	REVISIONS			