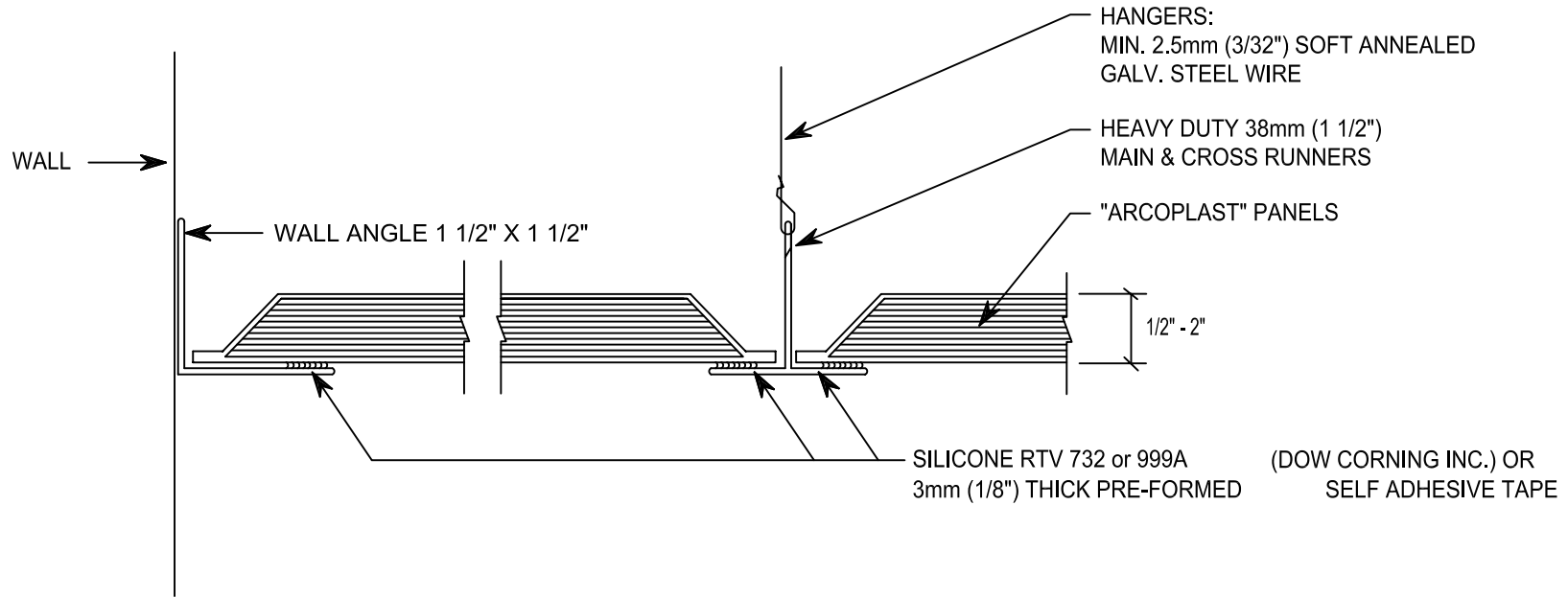


| CORE | PANEL DIMENSIONS | T - OPTIONS | SURFACE FINISH |
|---------------------------------|--|---|-----------------------------|
| MOLDED HIGH DENSITY FIBER GLASS | <input type="checkbox"/> 2'X2' <input type="checkbox"/> 2'X4' <input type="checkbox"/> 4'X4' | <input type="checkbox"/> OLD ROLLED GALVANIZED METAL 1" Face <input type="checkbox"/> OLD ROLLED ALUMINIUM 1" Face <input type="checkbox"/> OLD ROLLED STAINLESS 1" Face <input type="checkbox"/> EXTRUDED ALUMINIUM 1 1/2" Face | USDA/ANTIMICROBIAL GEL COAT |



| | | | | | | | |
|-------|----------------|-----|------|--------|-----------|--------------------|--|
| | DWG # CE-11 | F | | | | DATE 2-11-02 |  arcoplast WALL AND CEILING SYSTEMS 1873 WILLIAMSTOWN DR. ST. PETERS, MO 63376 888-736-2726 FAX 636-978-7782 |
| YIELD | | E | | | | SCALE N.T.S. | |
| | | D | | | | DRAWN BY JGB | |
| | | C | | | | CHECKED BY G.B. | |
| | | B | | | | | |
| | | A | | | | | LAY-IN CEILING PANELS INVERTED T RUNNERS (TYPICAL JOINTS) |
| | | NO. | DATE | E.C.N. | REVISIONS | | |