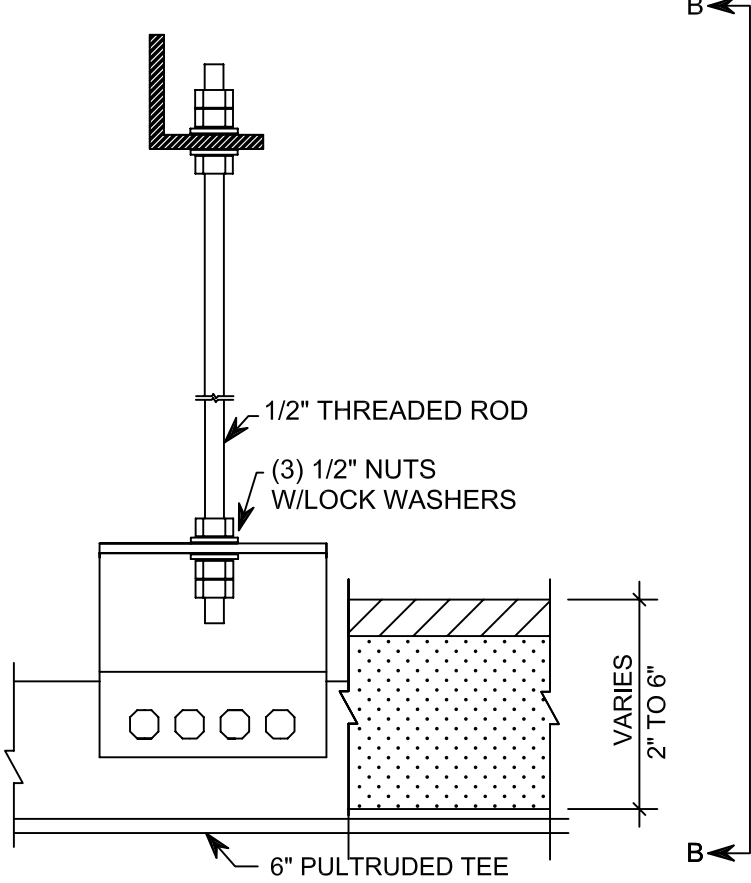
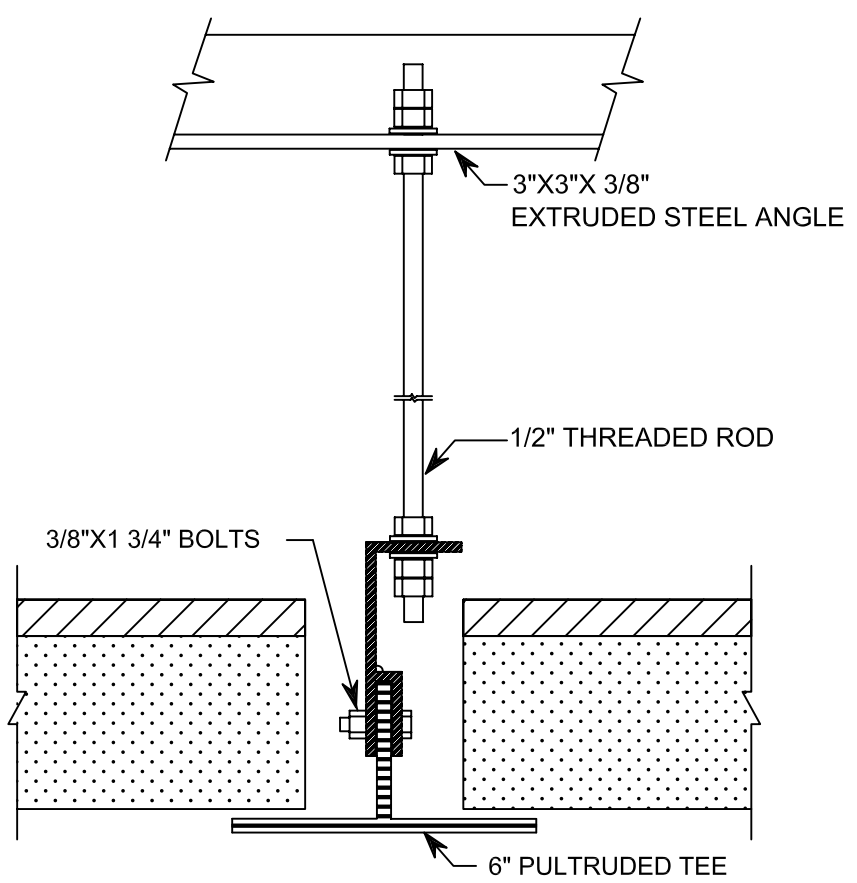


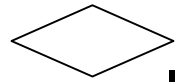
<b>CORE</b>	<b>PANEL DIMENSIONS</b>	<b>SURFACE FINISH</b>
<input type="checkbox"/> POLYISOCYANURATE FOAM <input type="checkbox"/> PLYWOOD OR CEMENT ONE SIDE	<input type="checkbox"/> MIN. 8'x8' <input type="checkbox"/> MAX. 8'x50'	USDA/ANTIMICROBIAL GEL COAT

MAIN TEE BRACKET W/THREADED ROD



SECTION-B MAIN TEE BRACKET



	DWG # <b>CE-32</b>	F				DATE 2-11-02	 <b>arcoplast</b> WALL AND CEILING SYSTEMS	1873 WILLIAMSTOWN DR. ST. PETERS, MO 63376 888-736-2726 FAX 636-978-7782
YIELD		E				SCALE N.T.S.		
		D				DRAWN BY JGB	SUSPENDED CEILING: PULTRUDED T RUNNERS (TYPICAL JOINTS)	
		C				CHECKED BY G.B.		
		B						
		A						
		NO.	DATE	E.C.N.	REVISIONS			