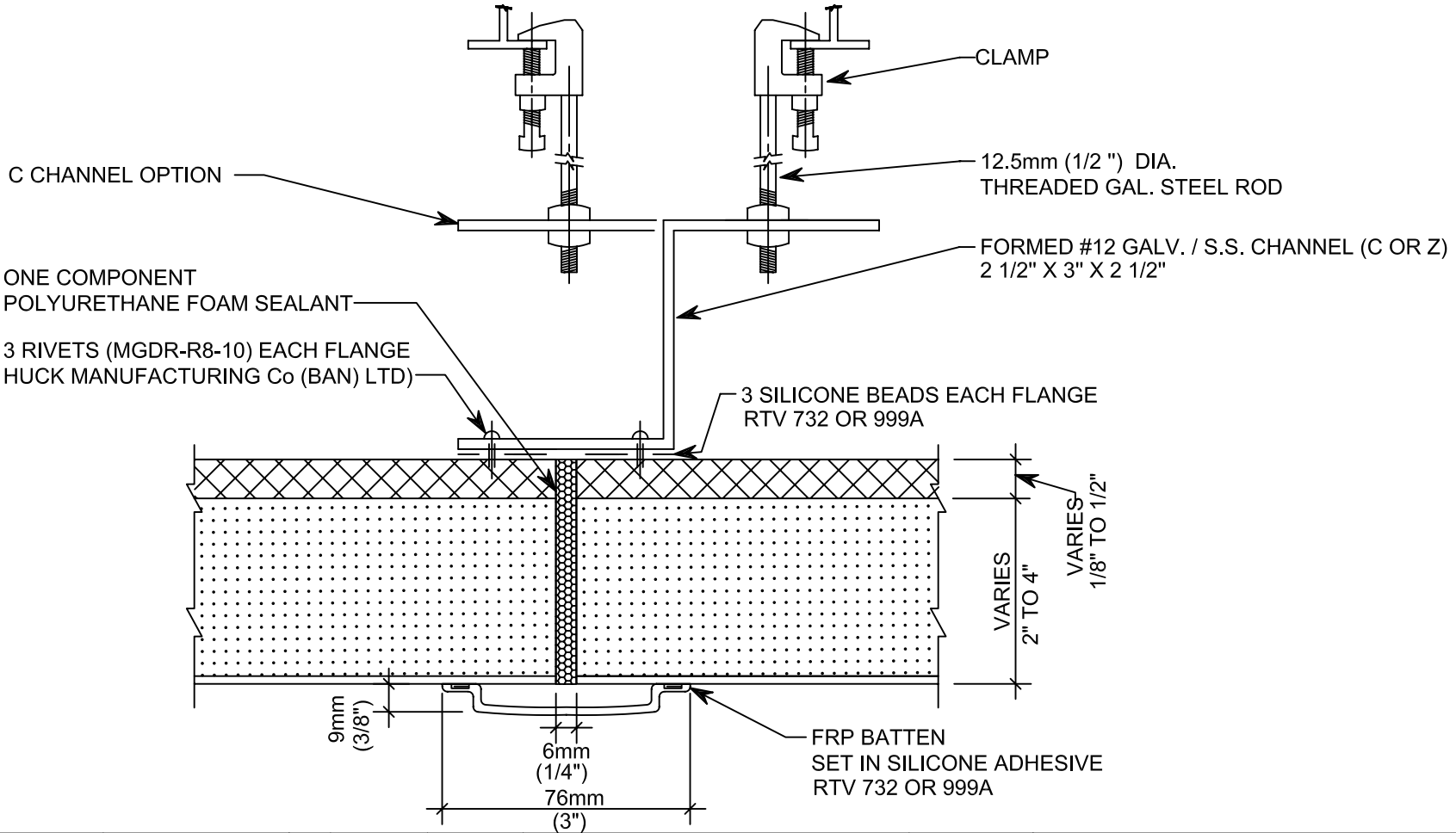


<b>NOTE:</b>	<b>PANEL DIMENSIONS</b>		<b>SURFACE FINISH</b>
SEE INFORMATION ON MAXIMUM RECOMMENDED SPAN "L" FOR DISTRIBUTED AND CONCENTRATED LOADS	<input type="checkbox"/> MIN. 8'x8' <input type="checkbox"/> MAX. 10'x50'		USDA/ANTIMICROBIAL GEL COAT



	DWG # <b>CE-40</b>	F					DATE 2-11-02	 <b>arcoplast</b> WALL AND CEILING SYSTEMS	1873 WILLIAMSTOWN DR. ST. PETERS, MO 63376 888-736-2726 FAX 636-978-7782
YIELD		E					SCALE N.T.S.		
		D					DRAWN BY JGB	SUSPENDED CEILING: CONCEALED HANGER C AND Z CHANNEL OPTIONS (TYPICAL PANEL JOINTS)	
		C					CHECKED BY G.B.		
		B							
		A							
		NO.	DATE	E.C.N.	REVISIONS				