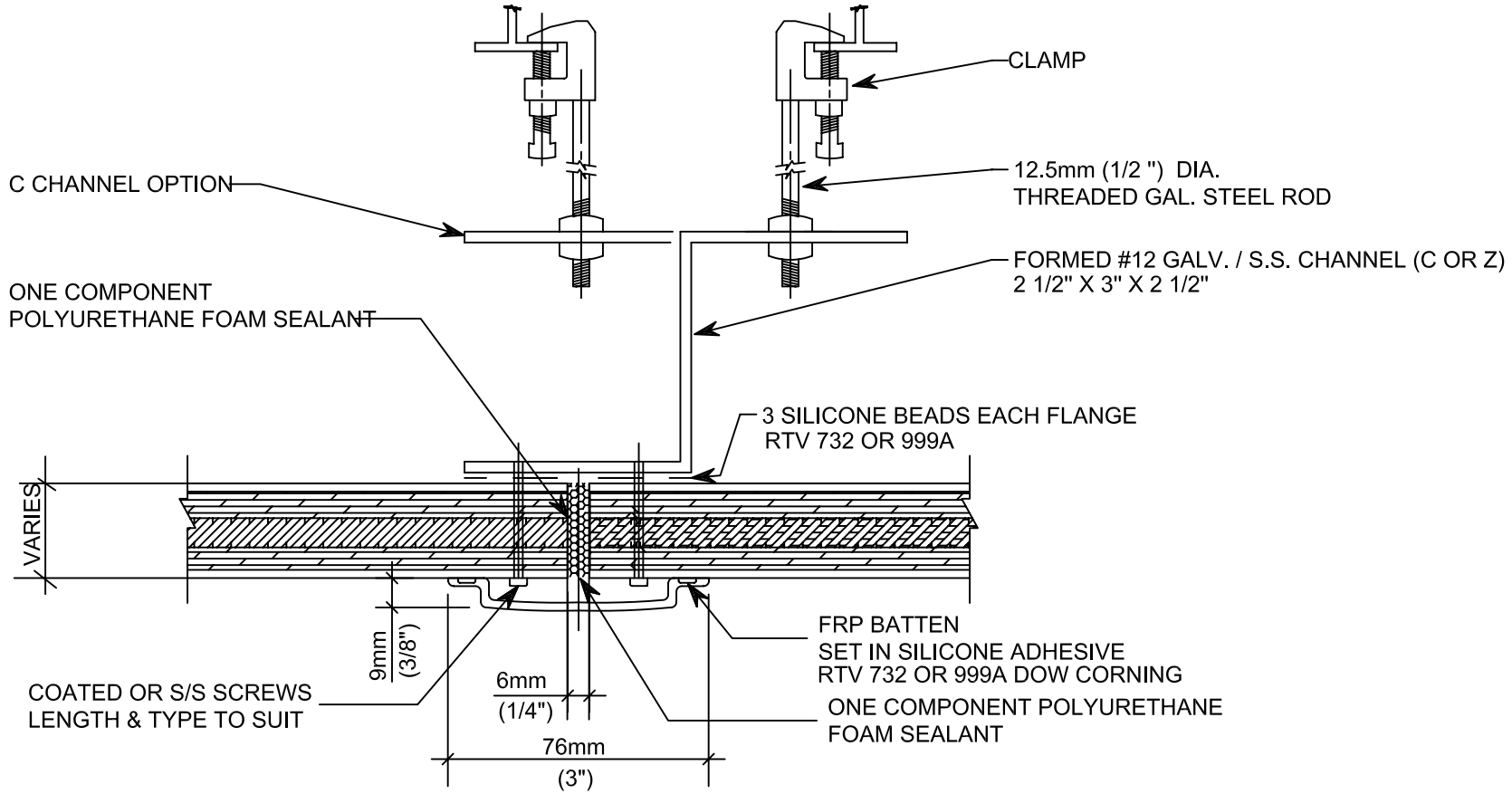
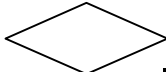


NOTE:	PANEL DIMENSIONS	SURFACE FINISH
SEE INFORMATION ON MAXIMUM RECOMMENDED SPAN "L" FOR DISTRIBUTED AND CONCENTRATED LOADS	<input type="checkbox"/> MIN. 8'x8' <input type="checkbox"/> MAX. 10'x50'	USDA/ANTIMICROBIAL GEL COAT



YIELD	DWG # CE-41	F					DATE 2-11-02	 arcoplast WALL AND CEILING SYSTEMS	1873 WILLIAMSTOWN DR. ST. PETERS, MO 63376 888-736-2726 FAX 636-978-7782
		E					SCALE N.T.S.		
		D					DRAWN BY JGB	SUSPENDED CEILING: CONCEALED HANGER C AND Z CHANNEL OPTIONS (TYPICAL PANEL JOINTS)	
		C					CHECKED BY G.B.		
		B							
		A							
		NO.	DATE	E.C.N.	REVISIONS				