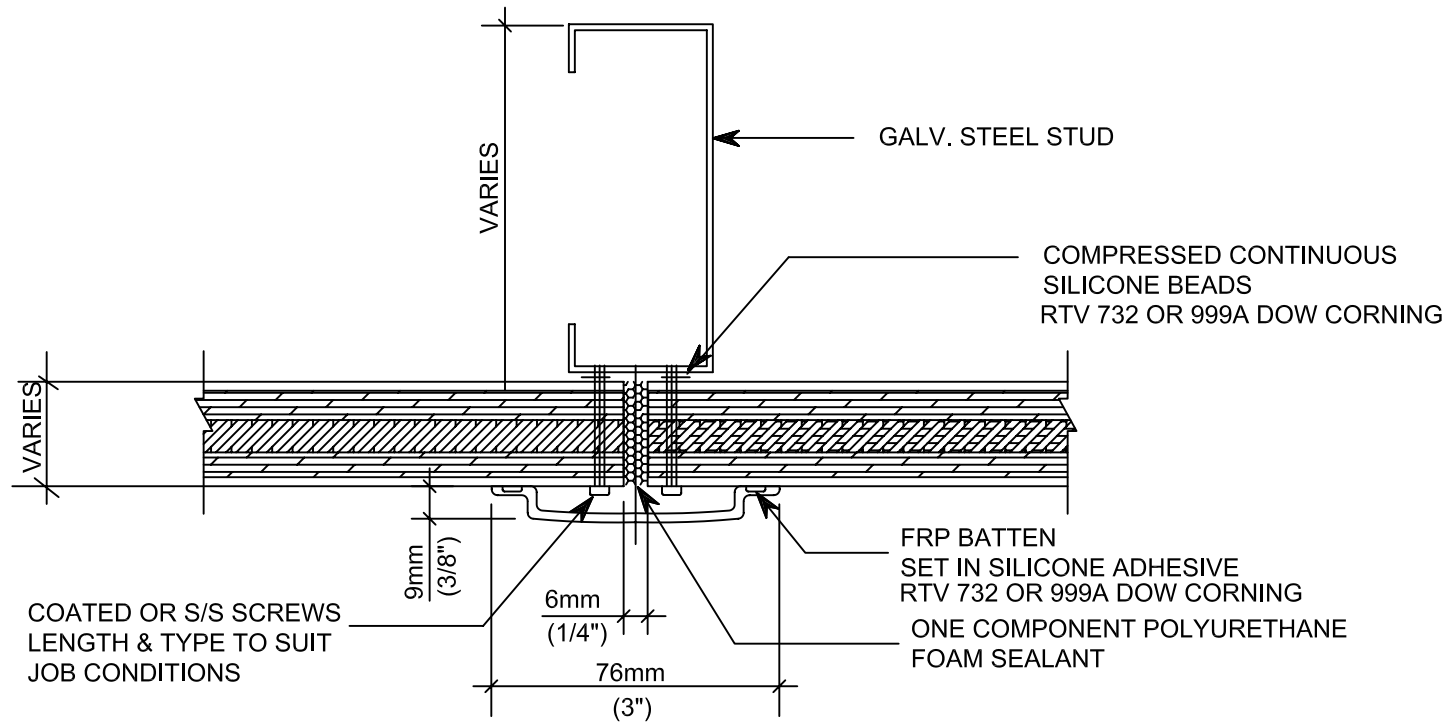


CORE OPTIONS	THICKNESS OPTIONS	PANEL DIMENSIONS	SURFACE FINISH
<input type="checkbox"/> PLYWOOD <input type="checkbox"/> SOLID <input type="checkbox"/> CEMENT	<input type="checkbox"/> 1/4" - 1" <input type="checkbox"/> 1/4", 3/8", 1/2", 5/8", 3/4" <input type="checkbox"/> 4mm, 6mm, 8mm	MIN. 4'x8' MAX. 10'x50'	USDA/ANTIMICROBIAL GEL COAT



	DWG # C&WL-14	F				DATE 2-11-02	 arcoplast WALL AND CEILING SYSTEMS	1873 WILLIAMSTOWN DR. ST. PETERS, MO 63376 888-736-2726 FAX 636-978-7782
YIELD		E				SCALE N.T.S.		
		D				DRAWN BY JGB		
		C				CHECKED BY G.B.		
		B						
		A					ATTACHED CEILING/WALL LINER PANEL (STUD SUPPORTS)	
		NO.	DATE	E.C.N.	REVISIONS			