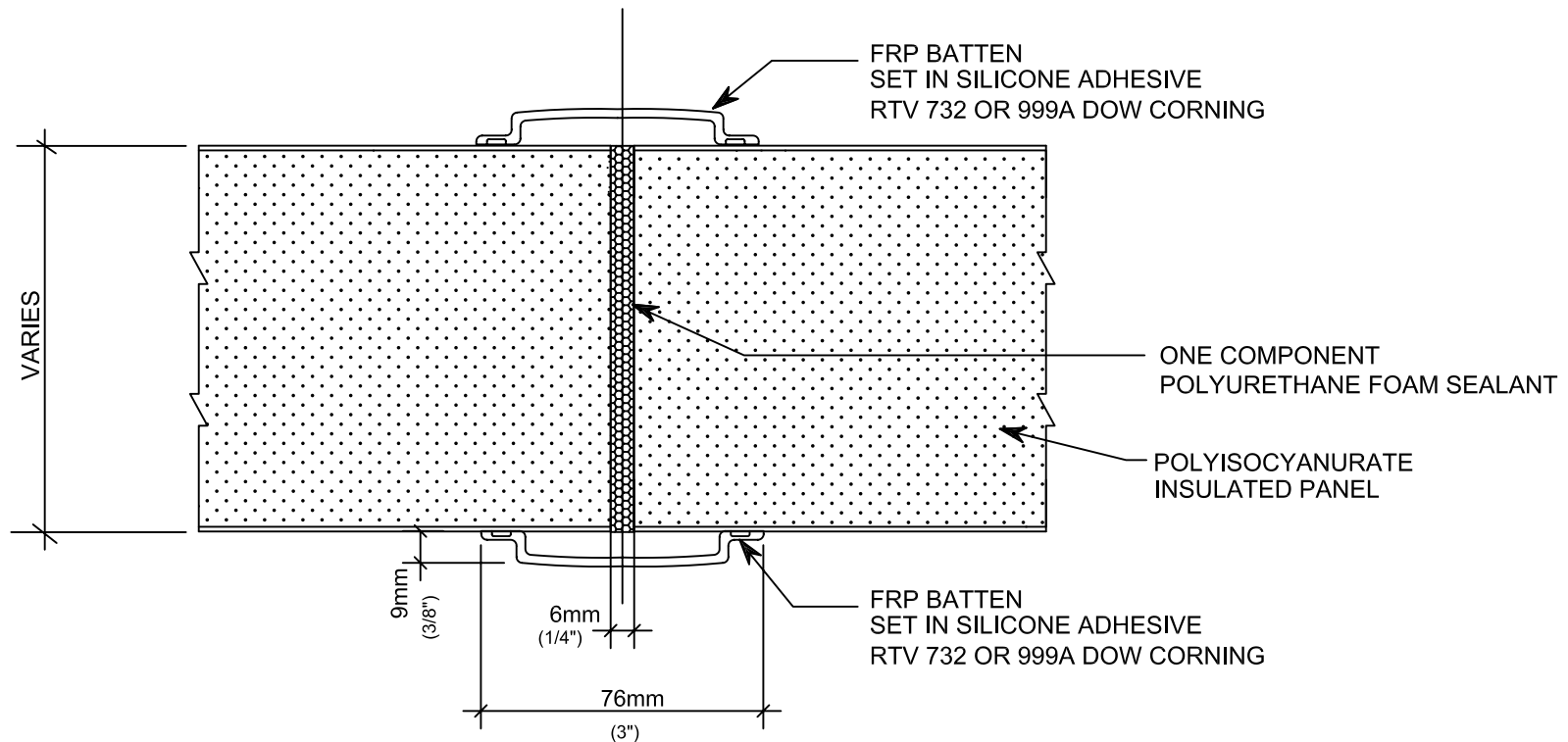


<b>CORE</b>	<b>PANEL DIMENSIONS</b>		<b>SURFACE FINISH</b>
□ POLYISOCYANURATE FOAM 5/8" TO 6"	□ MIN. 8'x8' □ MAX. 10'x50'		USDA/ANTIMICROBIAL GEL COAT



	DWG # <b>PA-11</b>	F				DATE 2-11-02	 <b>arcoplast</b> WALL AND CEILING SYSTEMS	1873 WILLIAMSTOWN DR. ST. PETERS, MO 63376 888-736-2726 FAX 636-978-7782
YIELD		E				SCALE N.T.S.		
		D				DRAWN BY JGB	<b>INSULATED WALL PANEL TYPICAL JOINT (FREE STANDING)</b>	
		C				CHECKED BY G.B.		
		B						
		A						
		NO.	DATE	E.C.N.	REVISIONS			