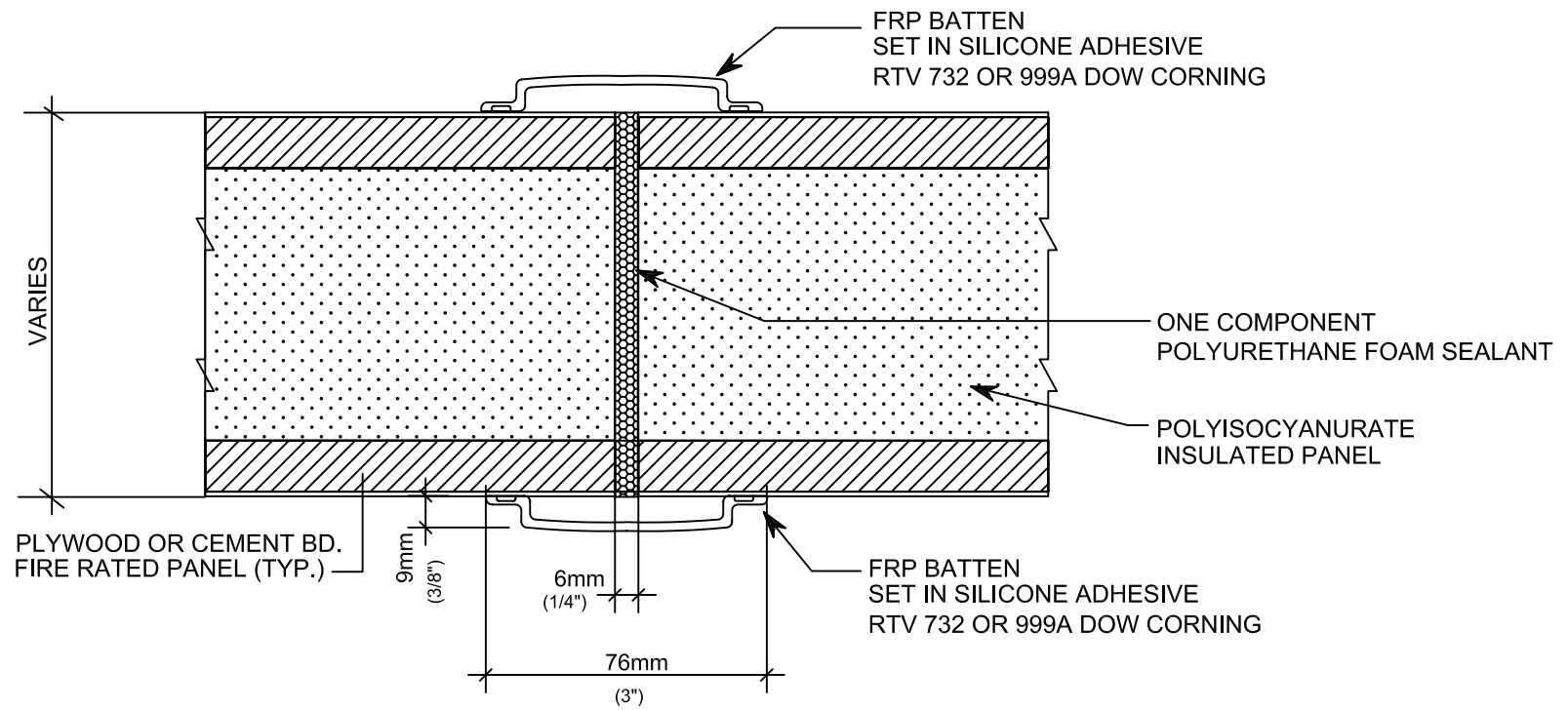
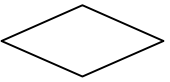


CORE OPTIONS	PANEL DIMENSIONS	SURFACE FINISH
<input type="checkbox"/> POLYISOCYANURATE FOAM 5/8" TO 6" <input type="checkbox"/> PLYWOOD OR CEMENT ON BOTH SIDES	<input type="checkbox"/> MIN. 8'x8' <input type="checkbox"/> MAX. 10'x50'	USDA/ANTIMICROBIAL GEL COAT



	DWG # PA-13	F				DATE 2-11-02	 arcoplast WALL AND CEILING SYSTEMS	1873 WILLIAMSTOWN DR. ST. PETERS, MO 63376 888-736-2726 FAX 636-978-7782
YIELD		E				SCALE N.T.S.		
		D				DRAWN BY JGB	INSULATED WALL PANEL TYPICAL JOINT (FREE STANDING)	
		C				CHECKED BY G.B.		
		B						
		A						
		NO.	DATE	E.C.N.	REVISIONS			