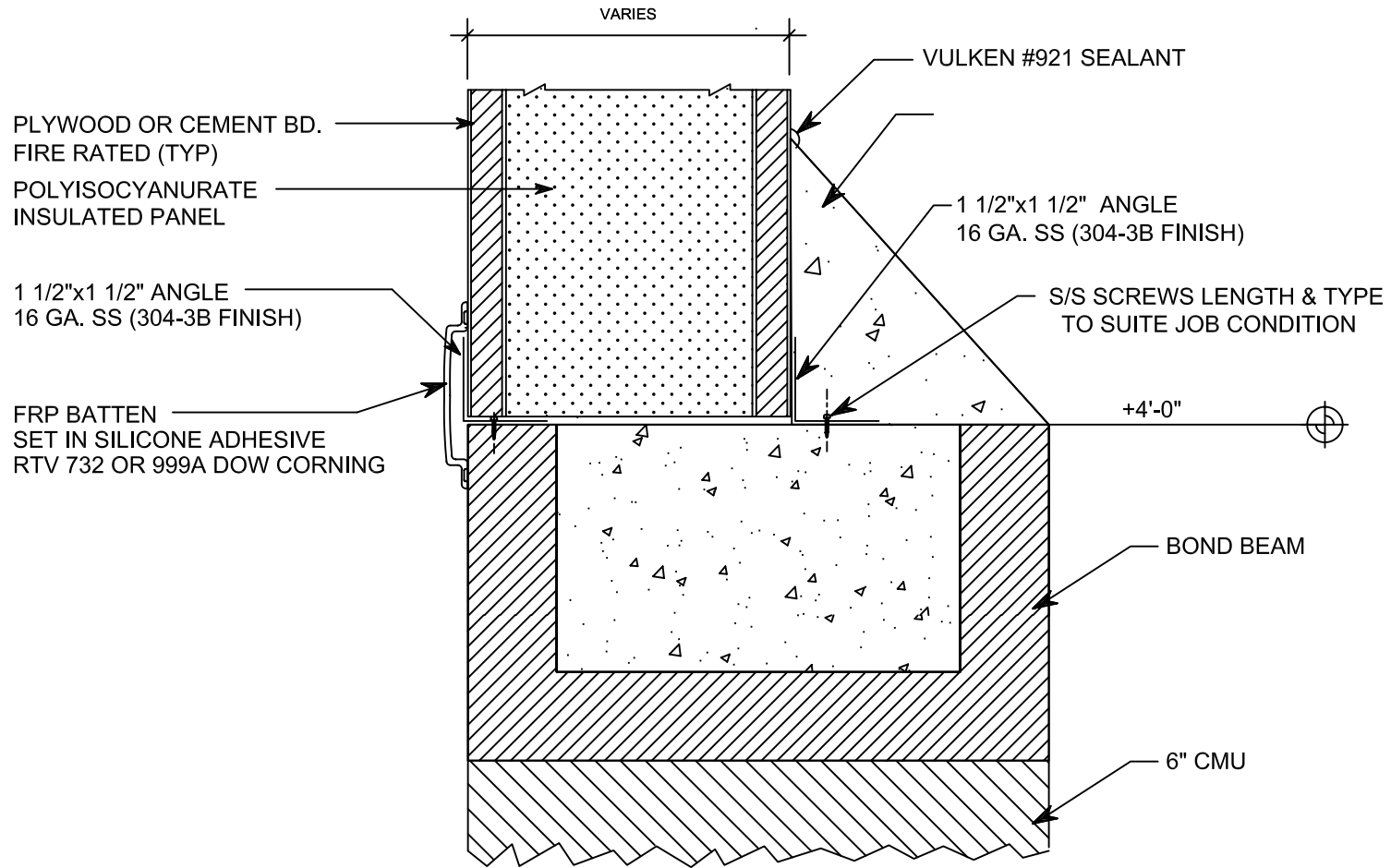


CORE OPTIONS	PANEL DIMENSIONS	SURFACE FINISH
<input type="checkbox"/> POLYISOCYANURATE FOAM 5/8" TO 6" <input type="checkbox"/> PLYWOOD FOAM PLYWOOD <input type="checkbox"/> CEMENT FOAM CEMENT	<input type="checkbox"/> MIN. 8'x8' <input type="checkbox"/> MAX. 10'x50'	USDA/ANTIMICROBIAL GEL COAT



	DWG # <b>PA-17-C</b>	F					DATE 2-11-02	 <b>arcoplast</b>	1873 WILLIAMSTOWN DR. ST. PETERS, MO 63376 888-736-2726 FAX 636-978-7782
YIELD		E					SCALE N.T.S.		
		D					DRAWN BY JGB	INSULATED PANEL WALL JUNCTION	
		C					CHECKED BY G.B.		
		B							
		A							
		NO.	DATE	E.C.N.	REVISIONS				