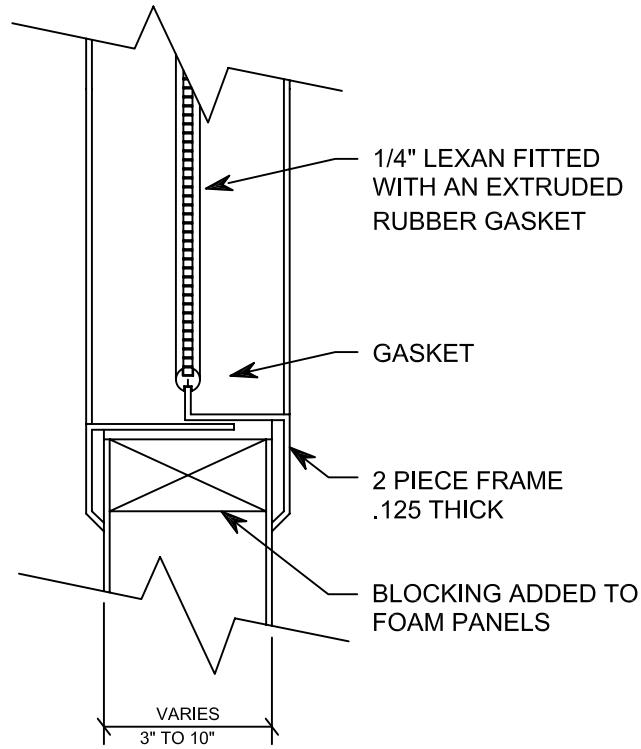
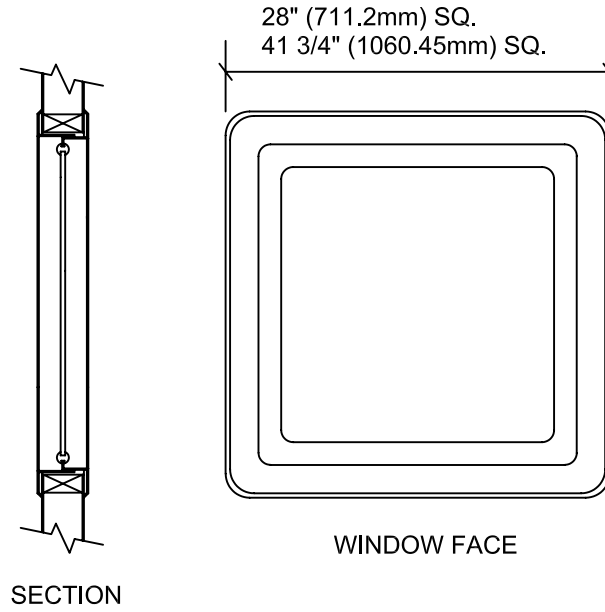


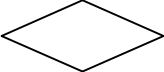
**SURFACE FINISH**  
 USDA/ANTIMICROBIAL GEL COAT



SECTION THROUGH SILL



	DWG # <b>WF-11</b>	F				DATE 2-11-02
		E				SCALE N.T.S.
YIELD		D				DRAWN BY JGB
		C				CHECKED BY G.B.
		B				
		A				
		NO.	DATE	E.C.N.	REVISIONS	

  
**arcoplast**  
 WALL AND CEILING SYSTEMS

1873 WILLIAMSTOWN DR.  
 ST. PETERS, MO 63376  
 888-736-2726  
 FAX 636-978-7782

MOLDED FIBERGLASS WINDOW FRAME