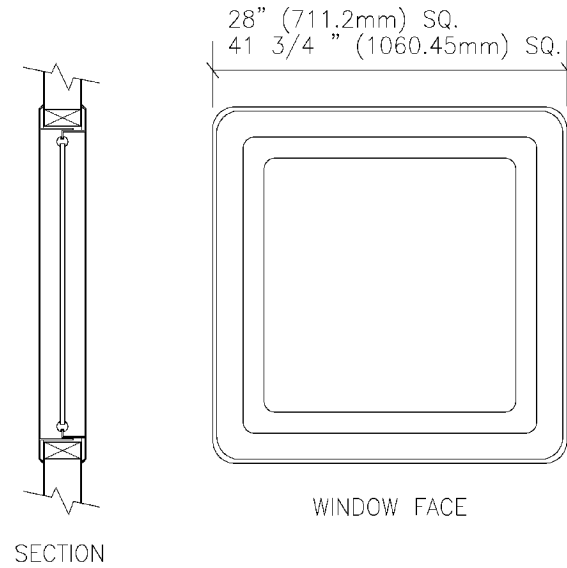
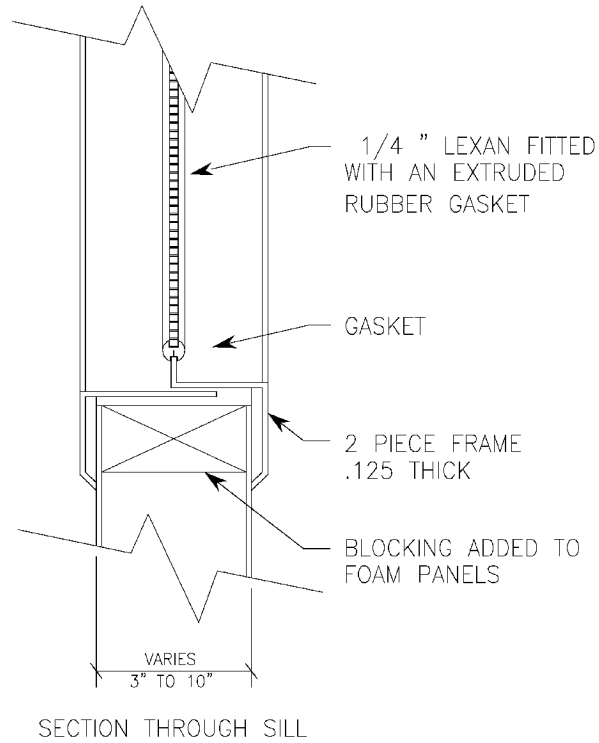
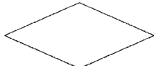


ARCOPLAST MOLDED FIBERGLASS WINDOW FRAME



| | | | | | | | |
|-------|-------|------|--------|-----------|---------------------------------|---|--|
| YIELD | DWG # | F | | | DATE: |  arcoplast WALL AND CEILING SYSTEMS | 858 WOODCOVE COURT CHESTERFIELD, MO 63017 888-736-2726 FAX 314-530-9949 |
| | WF-11 | E | | | 2-11-02 | | |
| | | D | | | SCALE: | | |
| | | C | | | N.T.S. | | |
| | | B | | | DRAWN: | | |
| | A | | | JGB | MOULDED FIBERGLASS WINDOW FRAME | | |
| | NO. | DATE | E.C.N. | REVISIONS | | | |
| | | | | | CHECKED: | | |
| | | | | | G.B. | | |